

## IMPORTANT DIRECTIONS FOR AIR TRAVEL WITH THE AVABAG AIRBAG SYSTEM

INSTRUCTIONS FOR THE PREPARATION OF THE ALU 207 BAR  
REFILLABLE CARTRIDGE FOR USE AS LUGGAGE ON FLIGHTS FROM/  
TO AND WITHIN THE USA/CANADA.



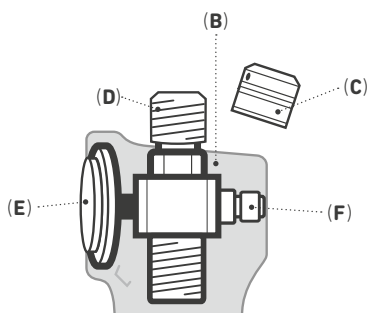
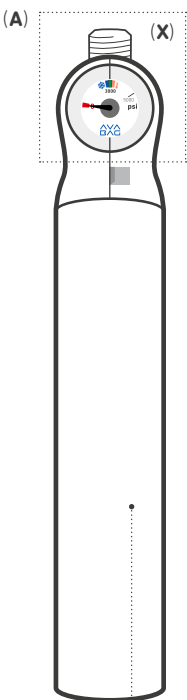
FOR ALL INTERNATIONAL AND DOMESTIC FLIGHTS TO/ IN USA AND CANADA YOU ARE NOT ALLOWED TO BRING FILLED AIRBAG CARTRIDGES ON THE PLANE. THE CARTRIDGE (A) MUST THEREFORE BE COMPLETELY EMPTIED AND THE FILLING HEAD (X) REMOVED FROM THE CYLINDER (Y) SO THAT IT IS POSSIBLE TO VISIBLY INSPECT THE INSIDE OF THE CYLINDER (Y) .

COMPONENTS:

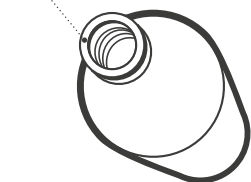
(A) "ALU 207 BAR REFILLABLE" CARTRIDGE = CARTRIDGE, CONSISTING OF:

(X) filling head & (Y) cylinder

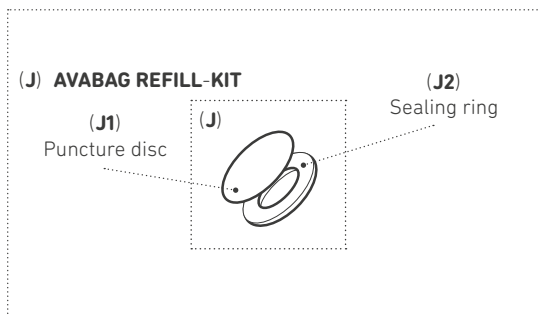
(X) FILLING HEAD, CONSISTING OF:  
 (B) PROTECTIVE PLASTIC CAP;  
 (C) PROTECTIVE ALUMINUM CAP;  
 (D) CYLINDER CONNECTOR;  
 (E) MANOMETER;  
 (F) FILLING NIPPLE



(G) Rubber sealing ring for filling head

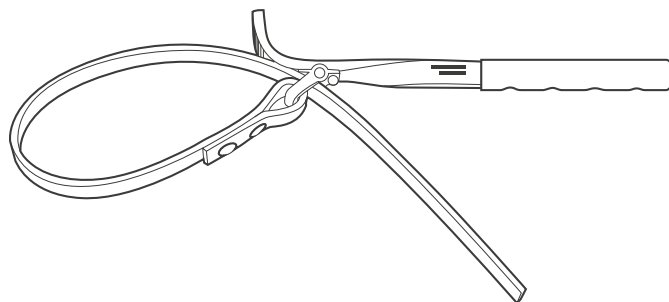


(Y) Cylinder

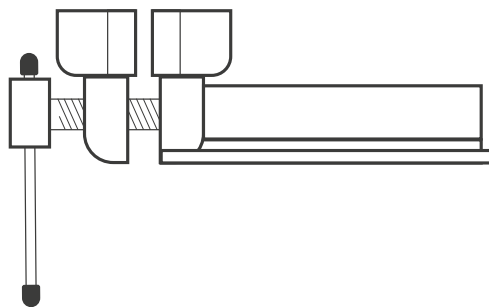


THE FOLLOWING TOOLS ARE REQUIRED:

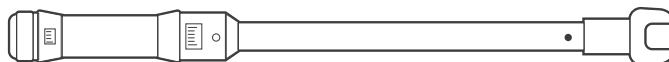
1. Strap wrench with > 80 inch / 200mm strap length



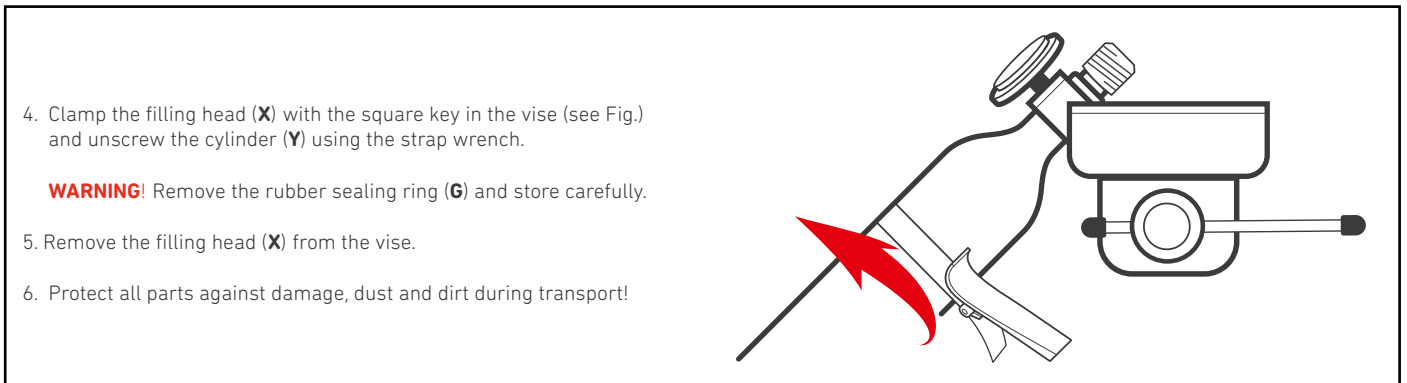
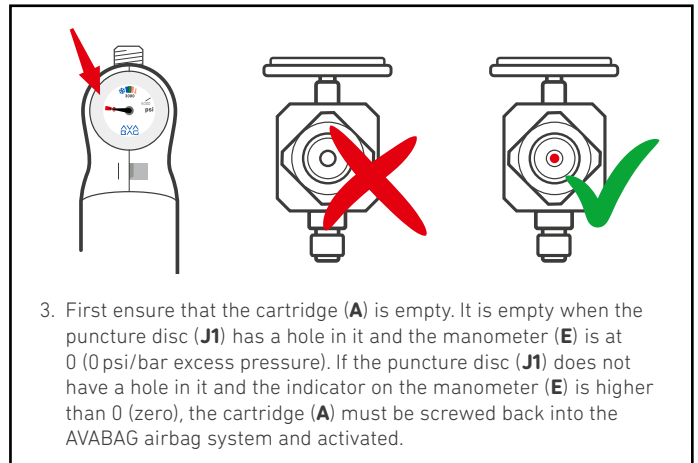
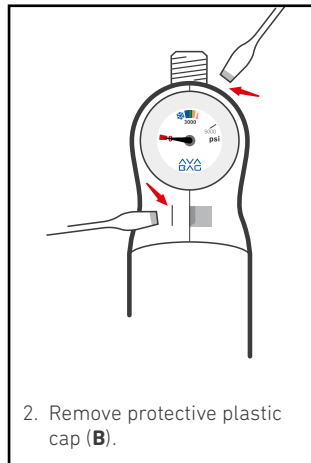
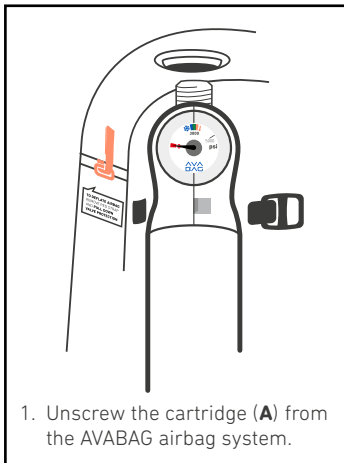
2. Vise



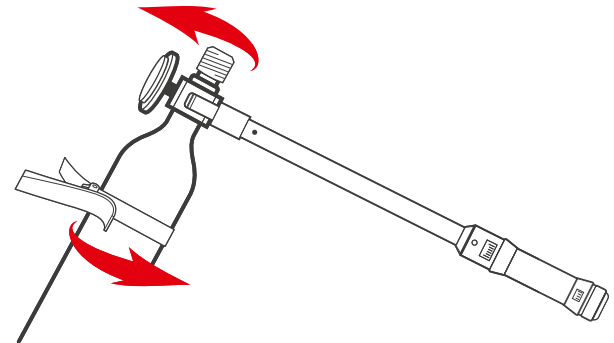
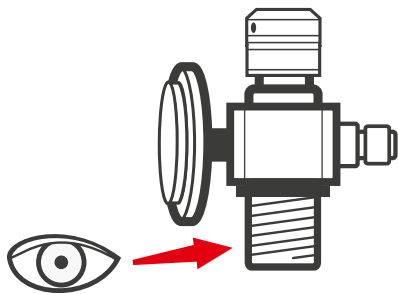
3. 19mm or 3/4 inch torque wrench



STEPS:



INSTRUCTIONS FOR ASSEMBLY If you are unsure about these steps, take all of the parts to a specialist retailer.



1. Check cylinder (Y) and filling head (X) for any dirt; if necessary, wipe the thread with a clean cloth. Attach the protective aluminum cap (C).

2. Attach the rubber sealing ring (G) to the thread on the filling head.

3. Clamp the filling head (X) with the square key in the vise.

4. Screw the cylinder (Y) by hand as far as possible onto the filling head (X).

5. Use the torque wrench and strap wrench to tighten the filling head (X) to a torque of 18 lb×ft / 25 N m. For this, clamp the torque wrench at a suitable place in the vise. The cylinder (Y) must not be clamped in the vise !

6. Now follow the steps in the operating instructions – REFILLING the AVABAG ALU 207 bar refillable cartridge.